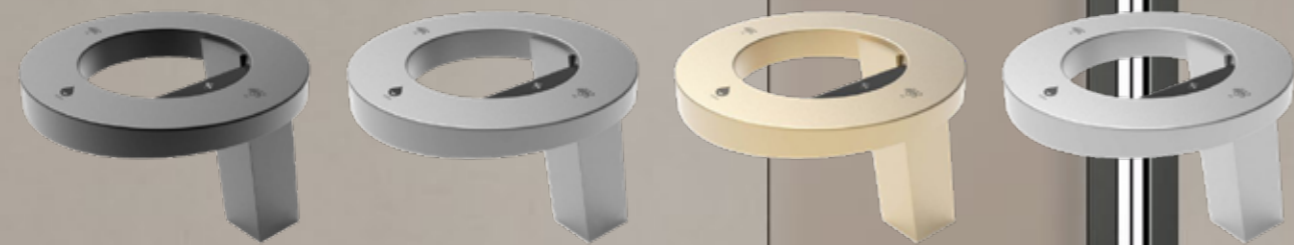




VELO CONCEPT3

01901.GD, 01901.B, 01901.N, 01901.S
01902.GD, 01902.B, 01902.N, 01902.S

3 in 1 Hand dryer, soap dispenser and tap on bench top.



FEATURES



AUTOMATIC OPERATION - LASER SENSOR



HEPA H13 FILTER



3 IN 1 HAND DRYER, DISPENSER & TAP



SPEED RANGE 10-15 SECONDS



WIDE RANGE OF COLOURS



SLEEK DESIGN



NOISE LEVEL RANGE 65 DB



VANDAL PROOF



5 YEAR WARRANTY



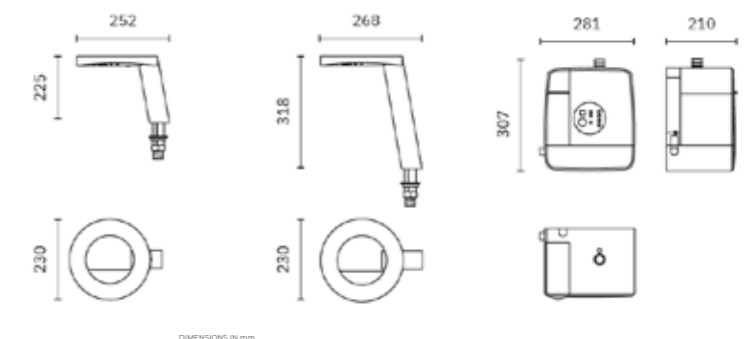
MANUFACTURED IN EUROPE

TECHNICAL DATA

- Dimensions (01901 model): 225 x 230 x 251,5 mm
8 7/8" x 9" x 9 7/8"
- Dimensions (01902 model): 317,5 x 230 x 268 mm
1'-0 1/2" x 9" x 10 1/2"
- Weight: 2,3 Kg (01901 model)
2,5 Kg (01902 model)
- Materials: Chromed aluminium (Polish) / Anodised aluminium / ABS / Brass
- Activation: By sensors
- Water consumption: 3 - 7 l/m (3 bar)
- Aerator: Neopearl
- Operation: Electronic sensor
- Noise level at 2 m: 65 dbA
- Hand dryer box dimensions: 307 x 281,4 x 210 mm
1'-0 1/8" x 11" x 8 1/4"
- Hand dryer box weight: 3,1 Kg
- Material: ABS
- Power consumption: 5,3 A
- Voltage: 220 - 240 V~
- Electrical isolation: Class II
- Protection index against ingress of dust and water: IP52
- Motor power: 1200 W
- Motor speed: 32000 rpm
- Drying time: 14-15 seconds
- HEPA filter: YES
- Soap dispenser dimensions: 120 x 322 x 120 mm
4 3/4" x 1'-0 5/8" x 4 3/4"
- Weight: 0,9 Kg
- Materials: ABS
- Voltage: 5 V~
- Soap dosage: 1-4 cc (electronic regulation)
- Soap tank capacity: 2 litres

BENEFITS

- 3 IN 1 SYSTEM - WASH, CLEAN AND DRY HANDS AT THE SINK
- HIGH SPEED JET DRYER
- SUPER ENERGY EFFICIENT
- A WIDE RANGE OF FINISHES INCLUDING GOLD, BLACK, TITANIUM AND STAINLESS
- LASER SENSOR
- HEPA FILTER
- VANDAL RESISTANT
- MINIMALISTIC DESIGN SUITABLE FOR HIGH TRAFFIC ENVIRONMENTS
- 5 YEAR WARRANTY



VELO HAND DRYERS

- Suite 1A Level 2
802-808 Pacific Highway
Gordon NSW 2072
- sales@velohanddryers.com.au
- www.velohanddryers.com.au

